

Montana Department of Transportation Bridge Bureau Approved Construction Equipment List

Make:	<i>Roadtec</i>
Model:	<i>RX 900e/ex</i>
Equipment Type:	<i>Mill Truck</i>
Contractor Modifications:	<i>None</i>

Interstate Approval Conditions

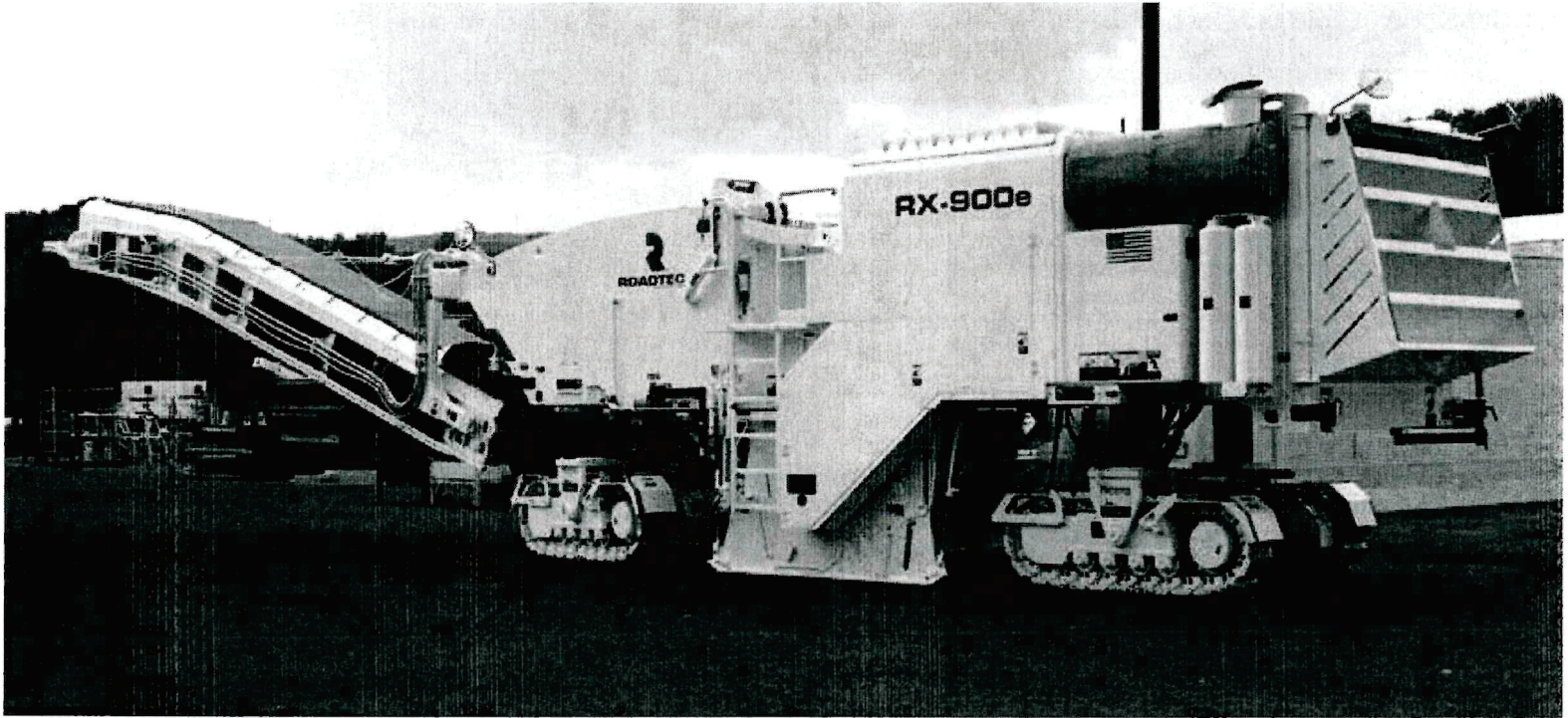
Approval Type	<i>Crossing Only</i>
Speed:	<i>No Restriction</i>
Weight:	<i>98,000 lb or less</i>
Traffic:	<i>Approved with regular traffic</i>
Location Restrictions:	<i>No Restriction</i>

Non-Interstate Approval Conditions

Approval Type	<i>Denied</i>
Speed:	<i>Denied</i>
Weight:	<i>Denied</i>
Traffic:	<i>Denied</i>
Location Restrictions:	<i>Denied</i>

Comments:

Equipment configuration, weights, and specifications on following pages. Approval does not apply to load posted bridges. Other construction equipment is not allowed to operate on or cross bridge at the same time this equipment is on the bridge.



RX-900 Specifications & Options

ENGINE

- RX-900e: Tier 4i; Caterpillar® C27 950 hp (700 kW) @ 1,800 rpm
- RX-900ex: Tier 3, Caterpillar® C27 950 hp (700 kW) @ 1,800 rpm

WEIGHT

- Three-track: 92,000 lbs (41,730 kg)
- Four-track: 98,000 lbs (44,452 kg)

ELECTRICAL SYSTEM

- 24v system with onboard and remote diagnostics via Roadtec Guardian™ Remote Telematics System
- Two 8D batteries & 105 Amp alternator
- Emergency engine shut-down; cutter disengages and engine shuts down when rear cutter door is opened

PROPEL SYSTEM

- Hydrostatic drive with automatic traction control
- Hydraulically controlled suspension. Manual and automatic.

SPEEDS

- 0-3 mph infinitely variable (0-4.8 kph)

TRACKS

- Direct hydraulic, planetary track drives. Bolt-on, replaceable poly track pads 14" (356 mm) wide
- Rear track width on 3-track machine: 16" (406 mm)

TURNING RADIUS

- Three-track: 8' (2,438 mm)
- Four-track: 8'7" (2,616 mm)

OPERATOR STATION

- Left/right side full-function operator stations on shock-absorbing operator platform with joy stick controls

GROUND CONTROLS

- Ground controls for mold boards, emergency stop, horn, load-out conveyor, rear steering, end gates, and elevation.

CONVEYORS

- 42" (1,066 mm) wide endless, heavy-duty belts with 1" (25 mm) tall molded rubber cleats
- Canvas load-out conveyor covers and self-cleaning pulleys
- 120° load-out conveyor swing capability

STANDARD LIGHT & ELECTRICAL OUTLET

- 24v lights & 24v DC power outlets, 2 magnetic base work lights

SERVICE CAPACITIES

- Full Tank..... 360 gal (1363 l)
- Hydraulic Fluid Tank..... 125 gal (471 l)
- Water Tank 1,300 gal (4920 l)



CUTTER SYSTEM FEATURES

MAXIMUM CUT DEPTH

- 14" (356 mm)

STANDARD TOOTH SPACING

- 5/8" (16 mm)

STANDARD TIP DIAMETER

- 48" (1,220 mm)

STANDARD DRUM SYSTEM

- Sollami® triple wrap, single hit drum with cutter bits for traditional milling
- Kennametal® drum optional

CUTTER DRIVE & GEAR BOX

- Bolt-on cutter assembly with mechanical v-belt drive.
- Automatic drive belt tensioning
- W-50 Fairfield® cutter gear box with mechanical fail safe to protect engine from shock loads

CUTTER SYSTEM OPTIONS

STANDARD CUTTER HOUSINGS & CUT WIDTHS

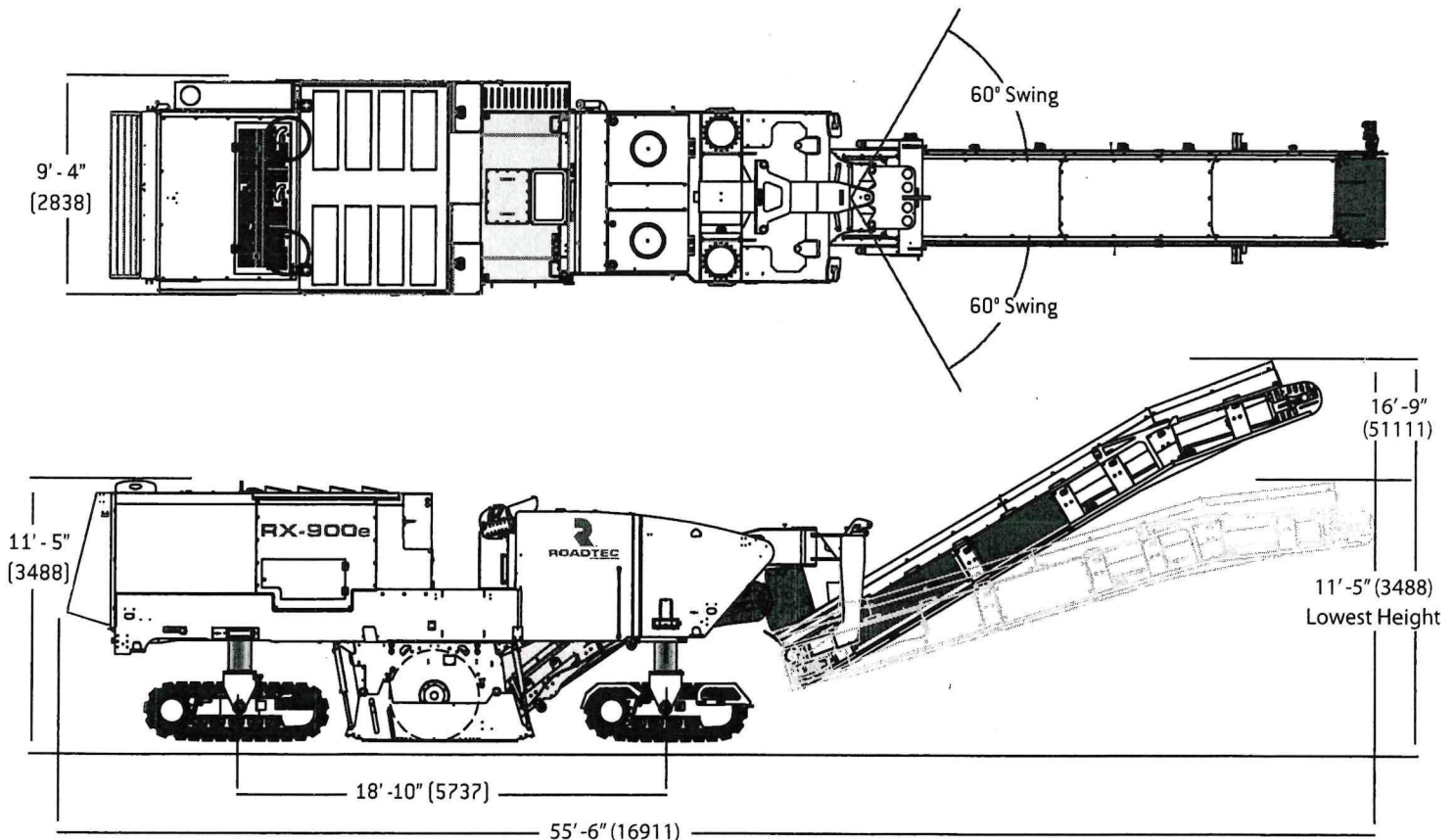
- 86" housing with 7'2" (2,184 mm) width cutter drum
- 98" housing with : 8'2" (2,489 mm) width cutter drum
- 150" housing with 12'6" (3,810 mm) width cutter drum

SEGMENTED CUTTER HOUSING

- Base 9'6" (2,896 mm) drum with segments to provide additional cut widths of 10'6" (3,200 mm), 11'6" (3,505 mm), 12'6" (3,810 mm), and 13'6" (4,115 mm)
- 10'6" (3,200 mm) cutter housing with extension segments for housing, moldboards, and spray bars to provide cut widths of 10'6" (3,200 mm), 11'6" (3,505 mm), 12'6" (3,810 mm), and 13'6" (4,115 mm)

GRADE & SLOPE AUTOMATION

- Mechanical System
- Digital SmoothMill™ Grade & Slope Automation
- Digital Prewiring for SmoothMill™ Averaging Ski
- SmoothMill™ - Single Averaging Ski
- SmoothMill™ - Dual Averaging Ski
- Moba® Rear System



Dimensions in brackets are mm.

Specifications are subject to change without notice.

ROADTEC an Astec Industries Company

800 MANUFACTURERS RD • CHATTANOOGA, TN 37405 USA • 800.272.7100 • FAX 423.267.7104 • roadtec.com

130307



© 2013 Roadtec, Inc. All Rights Reserved