

Montana Department of Transportation Bridge Bureau Approved Construction Equipment List

Make:	<i>BOMAG</i>
Model:	<i>BW 206 AD-5</i>
Equipment Type:	<i>Tandem Roller</i>
Contractor Modifications:	<i>None</i>

Interstate Approval Conditions

<i>Approval Type</i>	<i>Crossing Only</i>
<i>Speed:</i>	<i>No Restriction</i>
<i>Weight:</i>	<i>35,274 lb or less</i>
<i>Traffic:</i>	<i>Approved with regular traffic</i>
<i>Location Restrictions:</i>	<i>No Restriction</i>

Non-Interstate Approval Conditions

<i>Approval Type</i>	<i>Crossing Only</i>
<i>Speed:</i>	<i>No Restriction</i>
<i>Weight:</i>	<i>35,274 lb or less</i>
<i>Traffic:</i>	<i>Approved with regular traffic</i>
<i>Location Restrictions:</i>	<i>No Restriction</i>

Comments:

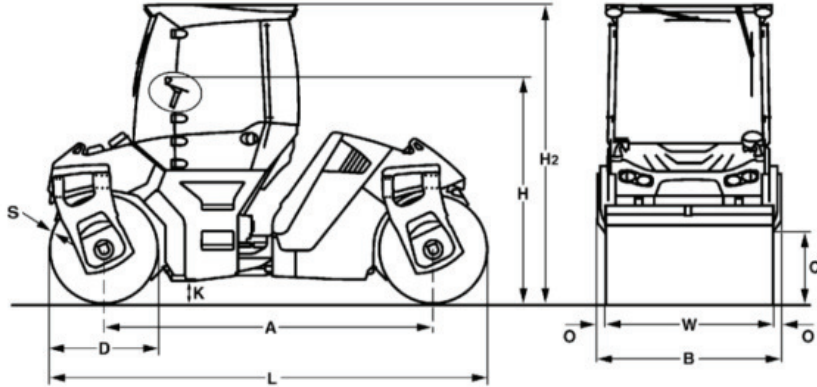
Equipment configuration, weights, and specifications on following pages. Approval does not apply to posted bridges. Other construction equipment is not allowed to operate on or cross bridge at the same time this equipment is on the bridge. Equipment must be empty while crossing. Vibratory system must be turned off while on bridge.

TECHNICAL DATA

TANDEM ROLLERS

BW 191 AD-5, BW 206 AD-5





Dimensions in inch

	A	B	C	D	H	H2	K	L	O	S	W
BW 191 AD-5	153.5	85.7	29.9	55.1	93.1	121.8	9.8	208.7	3.5	0.75	78.7
BW 206 AD-5	153.5	91.1	29.9	55.1	93.1	121.8	9.8	208.7	3.5	0.75	84.1

Shipping dimensions in cub.yd

BW 191 AD-5
 BW 206 AD-5

without ROPS

35,684
 37,933

with ROPS

46,685
 49,626

Machine type	Compaction output (cub.yd/h) at recommended soil layer thicknesses		
	Gravel, sand	Mixed soil	Silt, clay
BW 191 AD-5	340.1-654.0	235.4-470.9	183.1-287.7
BW 206 AD-5	366.2-719.4	261.6-523.2	196.2-327.0

Machine type	Compaction output (t/h) at different asphalt layer thicknesses		
	0.8-1.6 in	2.4-3.1 in	3.9-5.5 in
BW 191 AD-5	104.6-209.3	170.0-392.4	287.7-732.5
BW 206 AD-5	117.7-235.4	196.2-392.4	327.0-654.0

Technical Data

BOMAG BW 191 AD-5

BOMAG BW 206 AD-5

Weights

Operating weight CECE w. cab.	lb	29,763	31,085
Axle load, front CECE	lb	14,661	15,322
Axle load, rear CECE	lb	15,102	15,763
Static linear load, front CECE	lb/in	186.2	182.3
Static linear load, rear CECE	lb/in	191.8	187.5
Grossweight	lb	32,188	35,274

Dimensions

Track radius, inner	in	204.3	201.5
---------------------------	----	-------	-------

Driving Characteristics

Max. travel speed	mph	0- 7.5	0- 7.5
-------------------------	-----	--------	--------

Drive

Engine manufacturer		Deutz	Deutz
Type		TCD 4.1 L04	TCD 4.1 L04
Emission stage		Stage V / TIER4f	Stage V / TIER4f
Exhaust gas aftertreatment		DPF+SCR	DPF+SCR
Cooling		Liquid	Liquid
Number of cylinders		4	4
Performance ISO 14396	hp	140.8	140.8
Performance SAE J 1995	hp	141.0	141.0
Speed	rpm	2,300	2,300
Electric equipment	V	12	12

Brakes

Service brake		hydrost.	hydrost.
Parking brake		multi disc	multi disc

Steering

Steering system		oscil.artic.	oscil.artic.
-----------------------	--	--------------	--------------

Exciter system

Vibrating drum		front + rear	front + rear
Autom. vibr. shut off		standard	standard
Frequency	vpm	2,400.0/3,000.0	2,400.0/3,000.0
Amplitude	in	0.037/0.017	0.036/0.017
Centrifugal force	lb	28,978/21,087	29,000/21,357
Centrifugal force	t	2,945/2,158	2,945/2,181

Capacities

Fuel	gal	43.6	43.6
Water	gal	256.2	256.2

Technical modifications reserved. Machines may be shown with options.