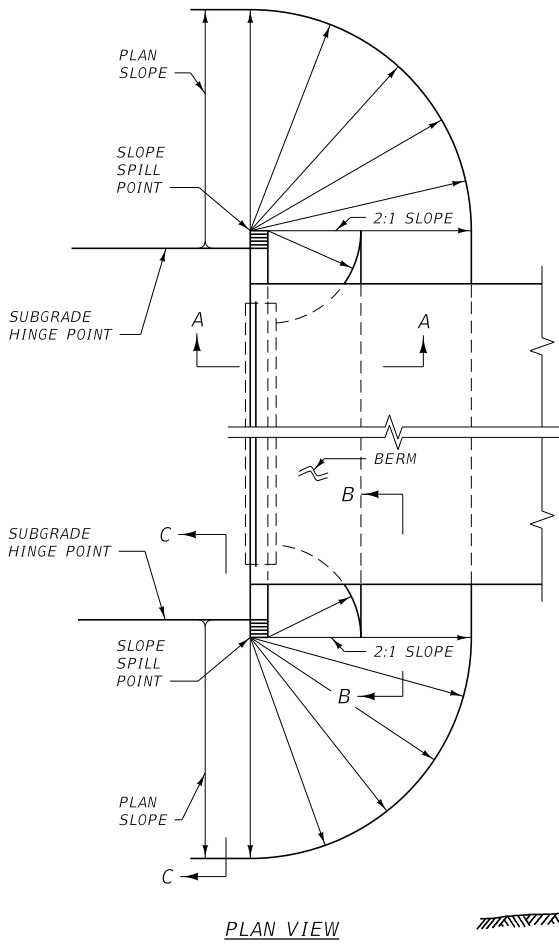
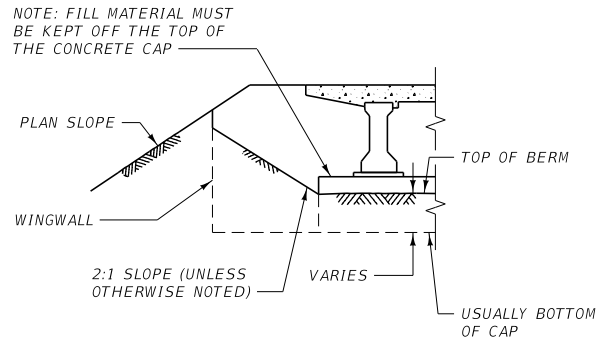


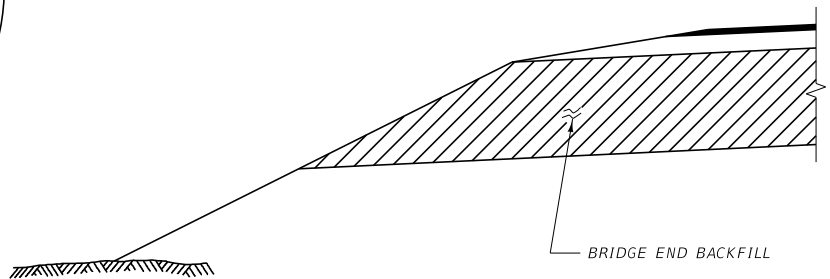
SECTION A-A



PLAN VIEW



SECTION B-B



SECTION C-C

UNITS SHOWN IN BRACKETS [ ] ARE METRIC AND ARE IN MILLIMETERS (mm) UNLESS OTHER UNITS ARE SHOWN.

DETAILED DRAWING	
REFERENCE STANDARD SPEC. SECTION 301, 701	DWG. NO. 301-00

ROADWAY EMBANKMENT  
AT BRIDGE END

EFFECTIVE: SEPTEMBER 2014

