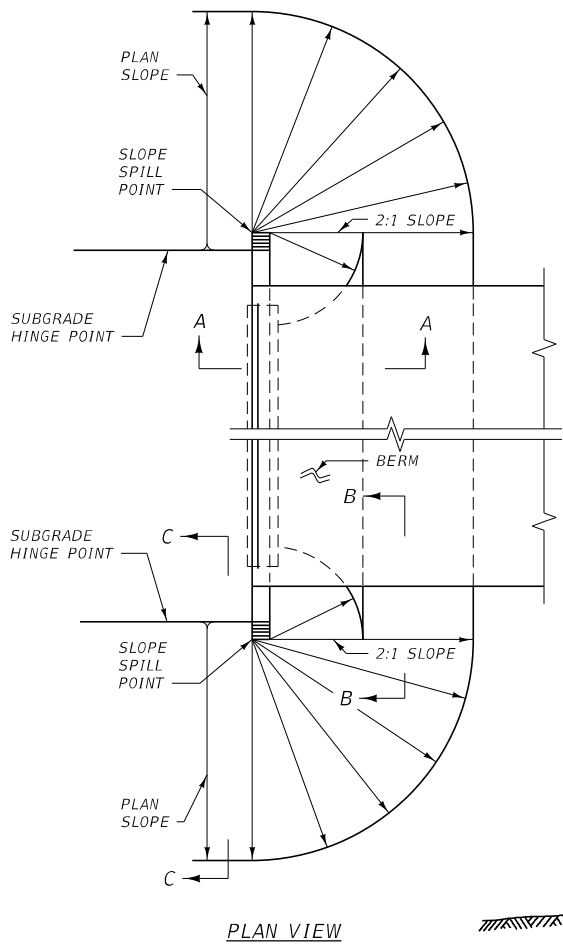
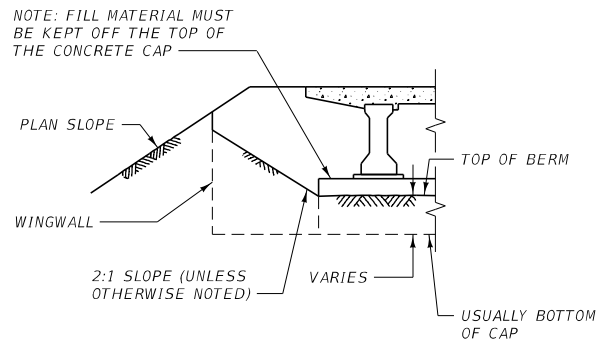


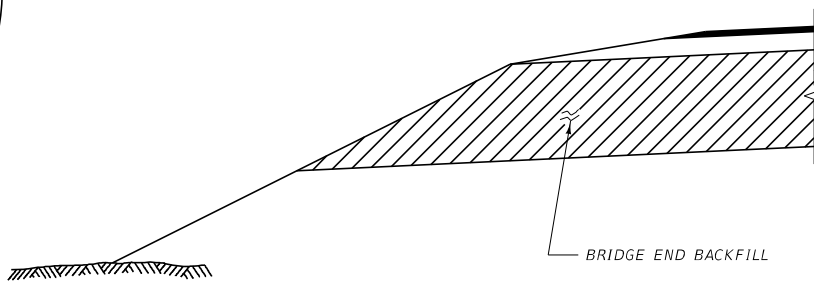
SECTION A-A



PLAN VIEW



SECTION B-B



SECTION C-C

UNITS SHOWN IN BRACKETS [ ] ARE METRIC AND ARE IN MILLIMETERS (mm) UNLESS OTHER UNITS ARE SHOWN.

DETAILED DRAWING	
REFERENCE	DWG. NO.
STANDARD SPEC.	301-00
SECTION 301, 701	

ROADWAY EMBANKMENT  
AT BRIDGE END