

NOTES:

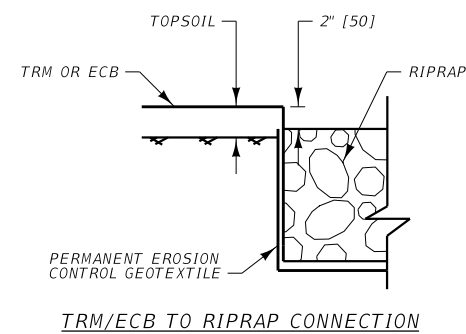
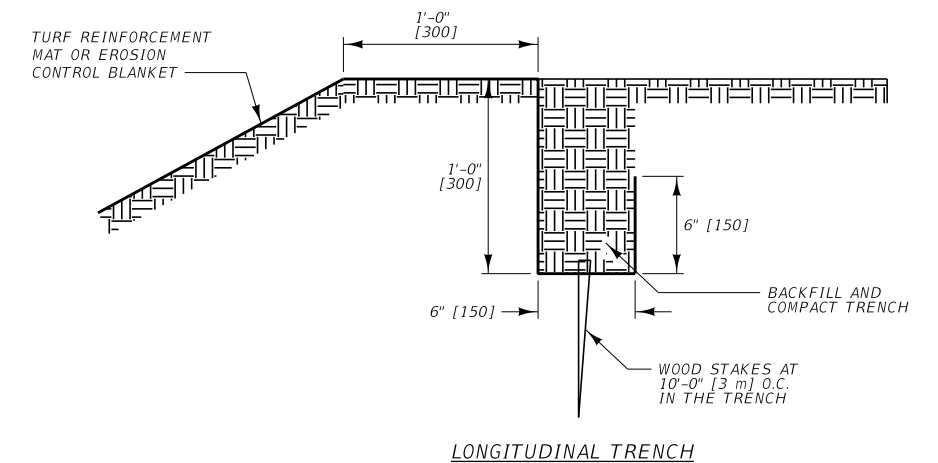
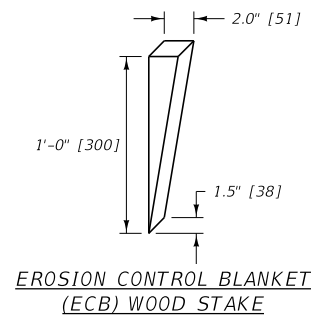
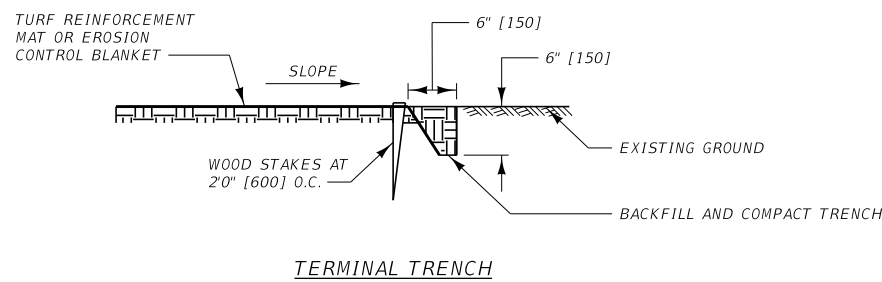
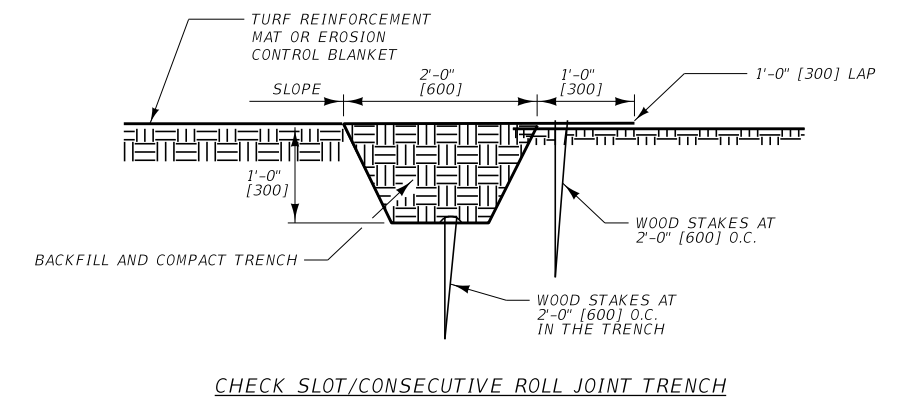
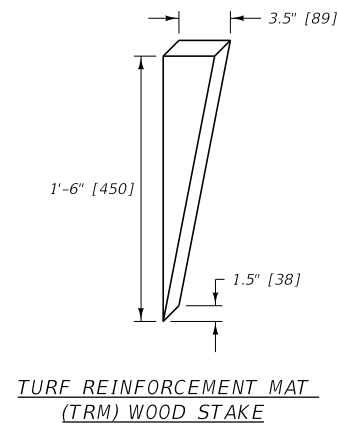
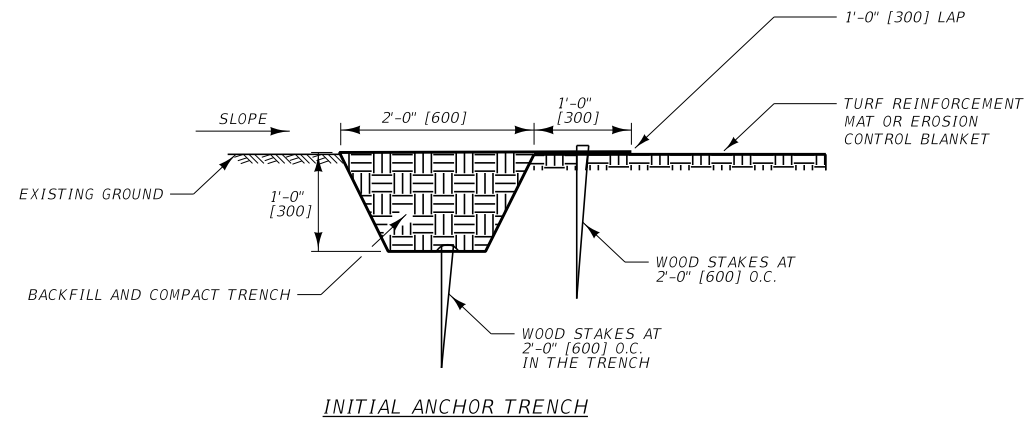
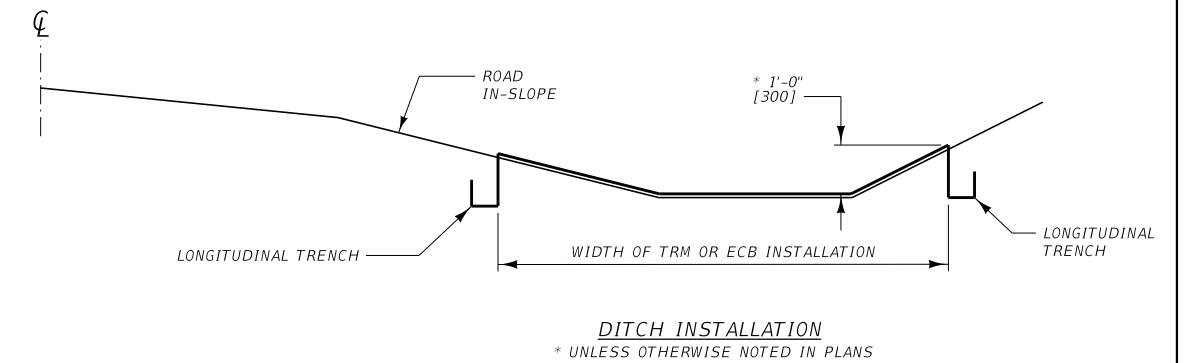
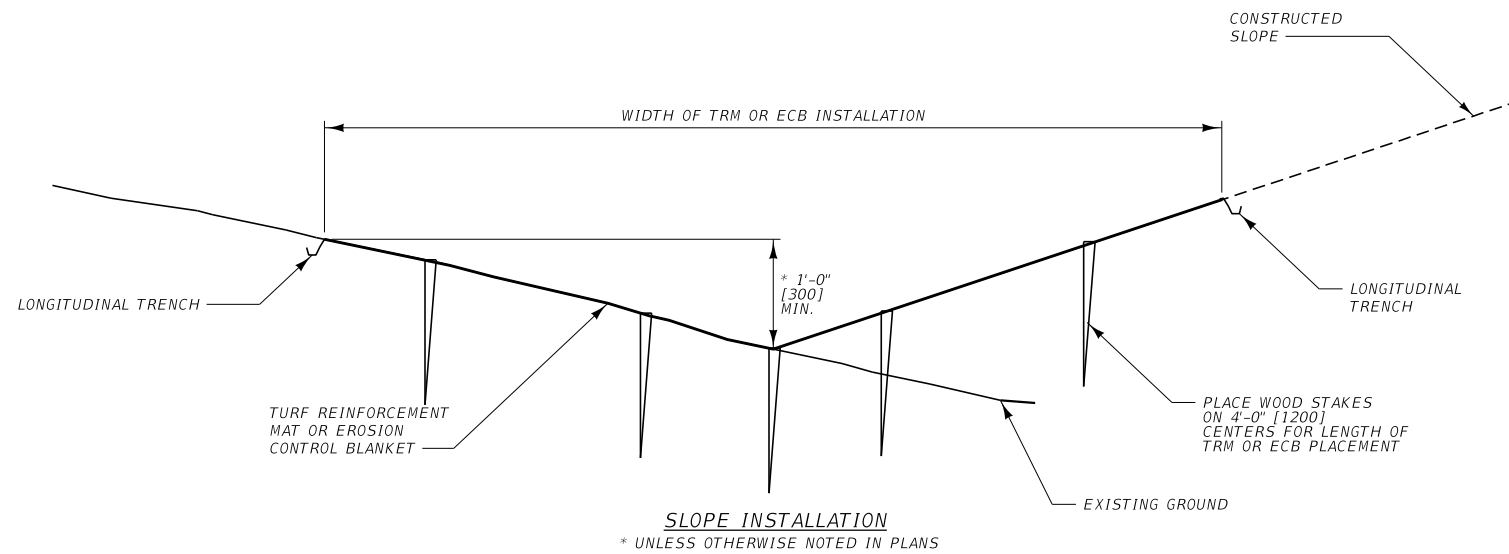
- ① DO NOT PLACE TOPSOIL WITHIN 1'-8" [0.5 m] OF THE EDGE OF PAVEMENT.
- ② PLACE TOPSOIL ON THE SURFACING INSLOPE TO A DEPTH OF 4" [100] (±) NOT LESS THAN 2'-0" [0.6 m] FROM THE EDGE OF SEEDING. FEATHER TOPSOIL TO THE EDGE OF SEEDING.
- ③ SEED AREAS BEYOND THE CONSTRUCTION LIMITS WITHIN THE RIGHT-OF-WAY OR PERMIT BOUNDARIES THAT HAVE BEEN DISTURBED (ie. STAGING AREAS, TOPSOIL PILES, EQUIPMENT TRAILS, etc.).
- ④ SALVAGE SUFFICIENT AMOUNTS OF TOPSOIL TO ASSURE QUANTITIES ARE AVAILABLE TO COVER ALL CLEARED AND GRUBBED AREAS WITH 4" [100] OF TOPSOIL. IF QUANTITIES ARE NOT AVAILABLE, RE-SPREAD TOPSOIL TO AN EVEN DEPTH ACROSS ALL DISTURBED GROUND.

UNITS SHOWN IN BRACKETS [] ARE METRIC AND ARE IN MILLIMETERS (mm) UNLESS OTHER UNITS ARE SHOWN.

SEEDING		
AREA NO.	DEFINITION	TREATMENT
1	3:1 OR FLATTER SLOPES	CONDITION SEEDBED, SEED & FERTILIZE
2	STEEPER THAN 3:1 SLOPES	SEED, FERTILIZE & MULCH
3	15' [4.5 m] OR TO THE EDGE OF THE SURFACING INSLOPE, WHICHEVER IS GREATER	CONDITION SEEDBED & SEED

DETAILED DRAWING	
REFERENCE	DWG. NO.
SECTION 610	610-00

TOPSOIL AND SEEDING



NOTES:

- ① PROVIDE A SOIL SURFACE STABLE, FREE OF ROCKS, AND TO PLAN SPECIFICATIONS.
- ② SEED, FERTILIZER, AND/OR APPLY OTHER SPECIFIED (IF APPLICABLE) SOIL AMENDMENTS PRIOR TO INSTALLATION. RAKE ALL SEED INTO THE UPPER 0.5" [13] OF SOIL PRIOR TO TRM OR ECB PLACEMENT.
- ③ UNROLL THE TRM OR ECB PARALLEL TO THE PRIMARY DIRECTION OF FLOW AND PLACE IT IN DIRECT CONTACT WITH SOIL SURFACE. DO NOT STRETCH OR ALLOW TRM OR ECB TO BRIDGE OVER SURFACE INCONSISTENCIES.
- ④ INITIAL ANCHOR TRENCH: PROVIDE AN INITIAL ANCHOR TRENCH AT THE BEGINNING OF THE SLOPE OR DITCH INSTALLATION FOR THE PLAN WIDTH OF THE TRM OR ECB.
- ⑤ TERMINAL TRENCH: PROVIDE A TERMINAL TRENCH AT THE END OF THE SLOPE OR DITCH INSTALLATION FOR THE PLAN WIDTH OF THE TRM OR ECB.
- ⑥ CHECK SLOT/CONSECUTIVE ROLL JOINT TRENCH: PROVIDE A CHECK SLOT A MINIMUM OF EVERY 25' [7.6 m]. DO NOT LOCATE A CHECK SLOT AT A DITCH FLOWLINE OR WHERE A CONSTRUCTED SLOPE AND IN-PLACE SLOPE MEET.

UNITS SHOWN IN BRACKETS [] ARE METRIC AND ARE IN MILLIMETERS (mm) UNLESS OTHER UNITS ARE SHOWN.

DETAILED DRAWING	
REFERENCE STANDARD SPEC. SECTION 610	DWG. NO. 610-05
ROLLED EROSION CONTROL (REC)	
MDTA MONTANA DEPARTMENT OF TRANSPORTATION	