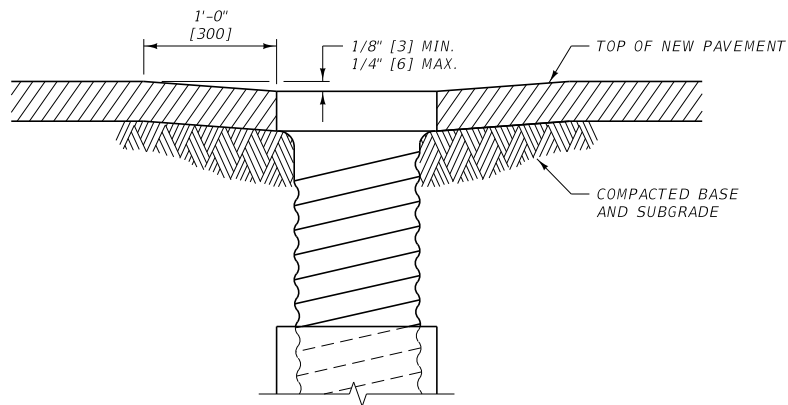


NOTES:

- ① ADJUST MANHOLES UPWARD WITH ADJUSTING RINGS UNDER FRAME.
- ② ADJUST MANHOLES DOWNWARD BY REMOVING CONE AND BARREL SECTIONS AS NECESSARY AND REPLACING WITH SECTIONS OF LENGTH REQUIRED TO MATCH GRADE.
- ③ SLOPE MANHOLE FRAME AS REQUIRED TO MATCH SLOPE OF STREET.
- ④ MAKE FINAL MANHOLE ADJUSTMENTS BEFORE PAVING.

MANHOLE ADJUSTMENT DETAIL



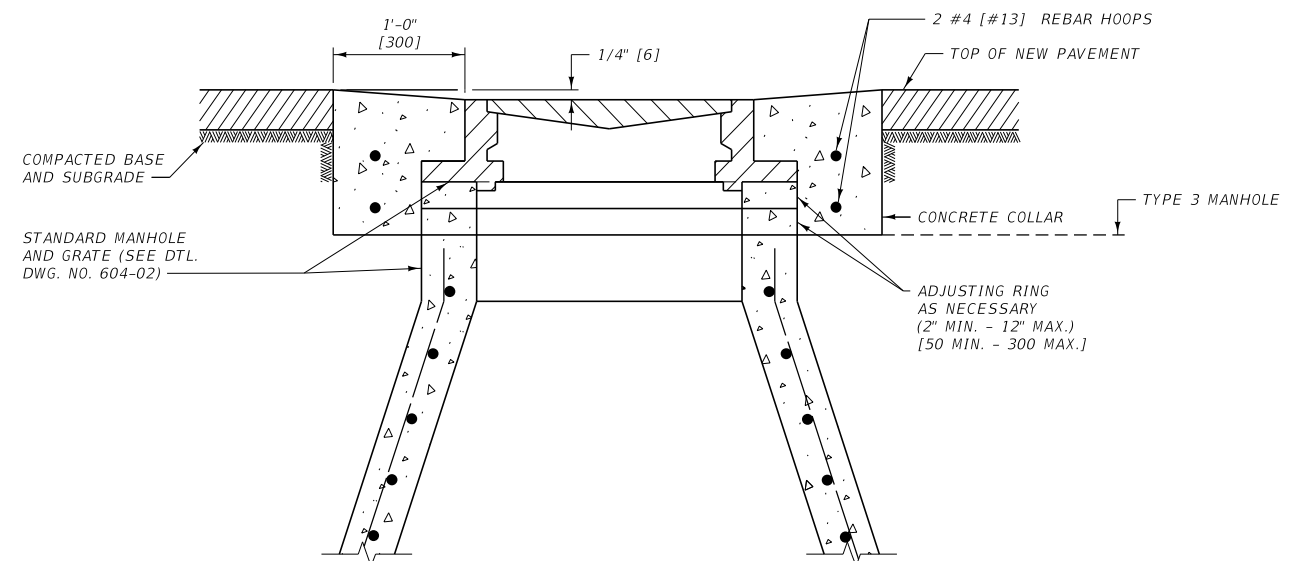
NOTES:

- ① ADJUST WATER VALVES UPWARD OR DOWNWARD AS REQUIRED.
- ② MAKE FINAL ADJUSTMENT BEFORE PAVING.

VALVE BOX ADJUSTMENT DETAIL

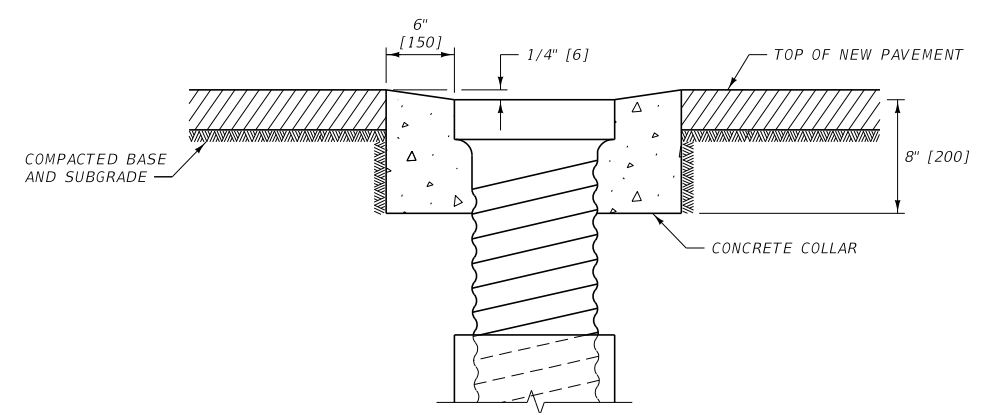
UNITS SHOWN IN BRACKETS [ ] ARE METRIC AND ARE IN MILLIMETERS (mm) UNLESS OTHER UNITS ARE SHOWN.

|  |                    |
|--|--------------------|
| <b>DETAILED DRAWING</b>                              |                    |
| REFERENCE<br>STANDARD SPEC.<br>SECTION 604, 621      | DWG. NO.<br>621-00 |
| MANHOLE AND<br>VALVE BOX<br>ADJUSTMENT DETAILS       |                    |
| <b>MDT</b> ★ MONTANA DEPARTMENT<br>OF TRANSPORTATION |                    |



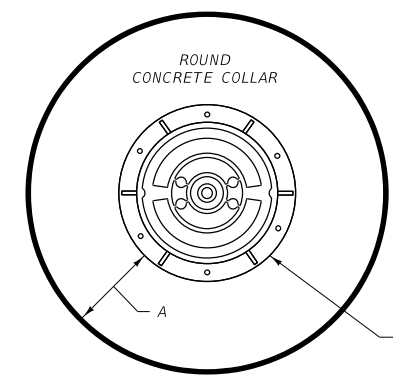
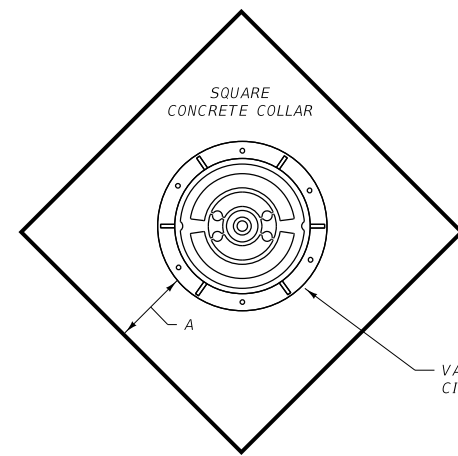
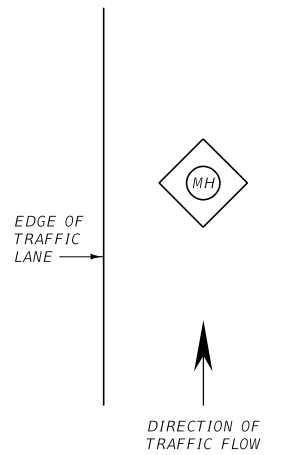
- NOTES:
- ① ADJUST MANHOLES UPWARD WITH ADJUSTING RINGS UNDER FRAME.
  - ② ADJUST MANHOLES DOWNWARD BY REMOVING CONE AND BARREL SECTIONS AS NECESSARY AND REPLACING WITH SECTIONS OF LENGTH REQUIRED TO MATCH GRADE.
  - ③ SLOPE MANHOLE FRAME AS REQUIRED TO MATCH SLOPE OF STREET.
  - ④ CONSTRUCT CONCRETE COLLAR OF CLASS GENERAL CONCRETE OR APPROVED EQUAL.

MANHOLE ADJUSTMENT DETAIL



- NOTES:
- ① ADJUST WATER VALVES UPWARD OR DOWNWARD AS REQUIRED.
  - ② CONSTRUCT CONCRETE COLLAR OF CLASS GENERAL CONCRETE OR APPROVED EQUAL.

VALVE BOX ADJUSTMENT DETAIL



| TYPE    | DIMENSIONS  | SQUARE COLLAR QUANTITIES      | ROUND COLLAR QUANTITIES       |
|---------|-------------|-------------------------------|-------------------------------|
|         |             | CLASS GENERAL CONCRETE        | CLASS GENERAL CONCRETE        |
| MANHOLE | 1'-0" [300] | 0.5 C.Y. [0.4m <sup>3</sup> ] | 0.4 C.Y. [0.3m <sup>3</sup> ] |
| VALVE   | 0'-6" [150] | 0.2 C.Y. [0.2m <sup>3</sup> ] | 0.1 C.Y. [0.1m <sup>3</sup> ] |

CONCRETE COLLAR DETAIL

UNITS SHOWN IN BRACKETS [ ] ARE METRIC AND ARE IN MILLIMETERS (mm) UNLESS OTHER UNITS ARE SHOWN.

|   |                 |
|---|-----------------|
| <b>DETAILED DRAWING</b>                           |                 |
| REFERENCE STANDARD SPEC. SECTION 604, 621         | DWG. NO. 621-05 |
| OPTIONAL MANHOLE AND VALVE BOX ADJUSTMENT DETAILS |                 |